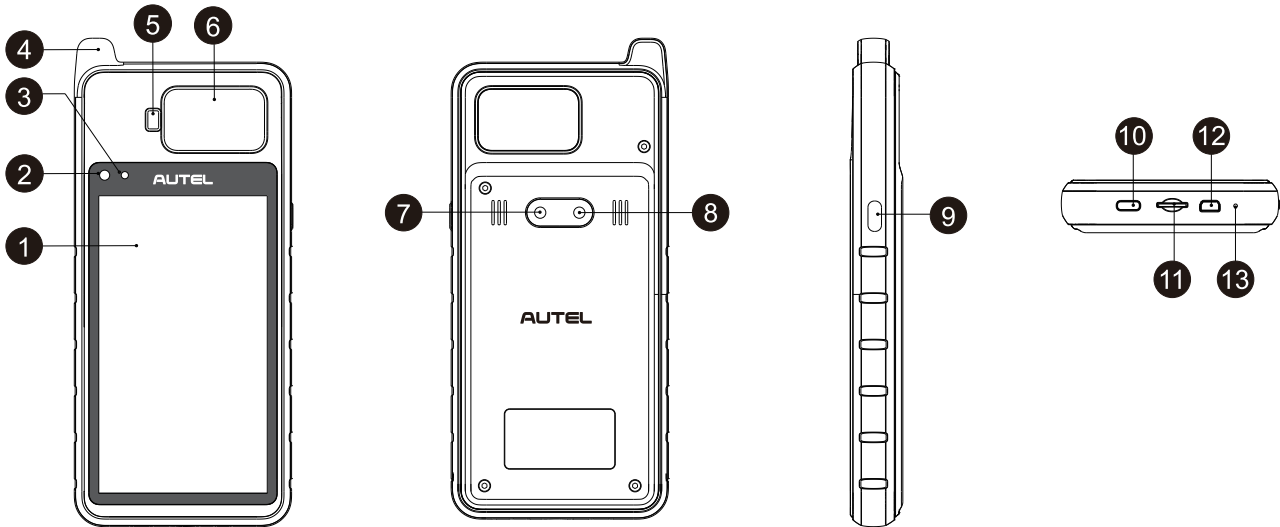


Thank you for purchasing this Autel MaxiIM KM100. Our tools are manufactured to a high standard and — when used according to these instructions and properly maintained — will provide years of trouble-free performance.



IMPORTANT: Before operating or maintaining this unit, please read these instructions carefully, paying extra attention to the safety warnings and precautions. Failure to use this product properly may cause damage and/or personal injury and will void the product warranty.

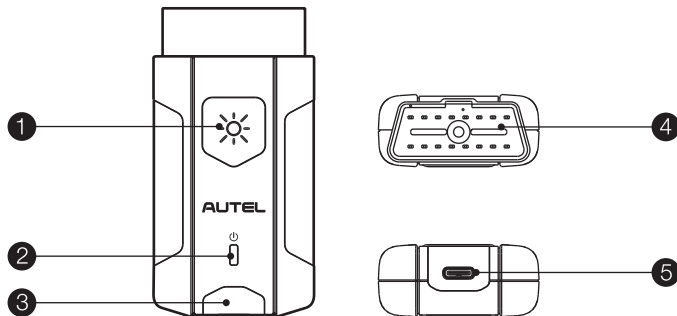
◎ MaxiIM KM100



- 1. 5.5-inch Touchscreen
- 2. Ambient Light Sensor — detects ambient brightness
- 3. Status LED
- 4. Low Frequency Detection Collector — collects low frequency data
- 5. Transponder Slot — reads and writes transponder
- 6. Vehicle Key Slot — reads key information and measures remote frequency

- 7. Rear Camera
- 8. Camera Flash
- 9. Lock/Power Button — press and hold to turn on/off the tool, or tap to lock the screen
- 10. Type-C USB Port
- 11. SD Card Slot
- 12. Mini USB Port
- 13. Microphone

◎ VCI (Vehicle Communication Interface) Device — MaxiVCI V200



- 1. Flashlight Power Button
- 2. Power LED
- 3. Vehicle/Connection LED
- 4. Vehicle Data Connector (16-pin)
- 5. USB Port

VCI LED Description

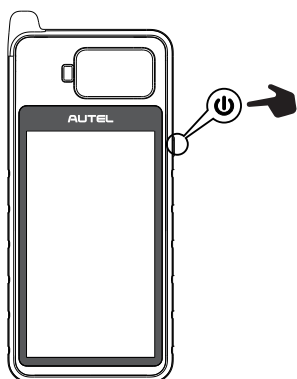
LED	Color	Description
Power LED	Yellow	The VCI is powered on and performing self-check.
	Green	The VCI is ready for use.
	Flashing Red	The firmware is updating.
Vehicle /Connection LED	Green	<ul style="list-style-type: none"> • Solid Green: The VCI is connected via USB cable. • Flashing Green: The VCI is communicating via USB cable.
	Blue	<ul style="list-style-type: none"> • Solid Blue: The VCI is connected via Bluetooth. • Flashing Blue: The VCI is communicating via Bluetooth.

Getting Started



IMPORTANT: Prior to use, update the KM100 and MaxiVCI V200 with the latest version of software and firmware. Ensure the KM100 is connected to the Internet and is fully charged or connected to a power adapter.

1



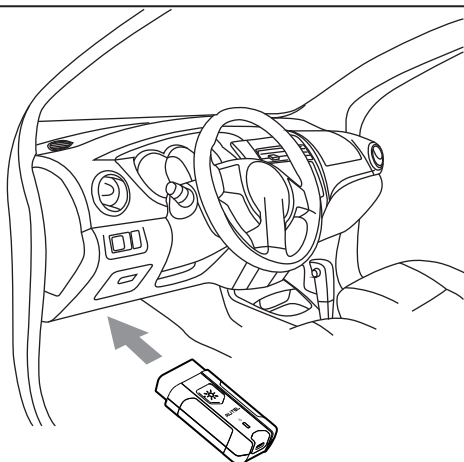
- Press and hold the **Lock/Power** button to power on the tool.

2



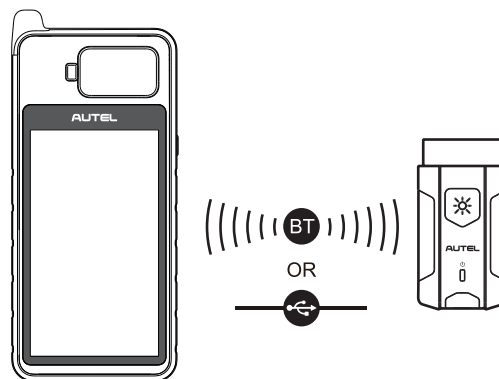
- Scan the above QR code to visit our website at www.autel.com.
- Create an Autel ID and register the tool with device's serial number and password.

3



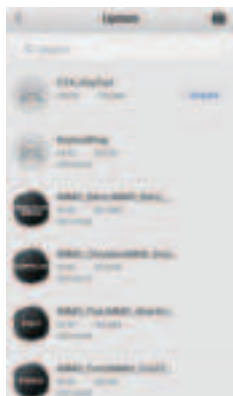
- Insert the Vehicle Data Connector on the MaxiVCI V200 into the vehicle's DLC, which is generally located under the vehicle dashboard.

4



- Turn the vehicle ignition to the ON position and pair the KM100 with the MaxiVCI V200 via Bluetooth or connect via supplied USB cable to establish a communication link. Your key tool is now ready for use.

5



- **Software Update:** connect the KM100 to the Internet and tap **Update** on the home screen to view all available updates.

FCC Statement

This device complies with part 15 of the FCC rules. Operation is subject to the following two conditions: (1) this device may not cause harmful interference, and (2) this device must accept any interference received, including interference that may cause undesired operation.

Changes or modifications not expressly approved by the party responsible for compliance could void the user's authority to operate the equipment.

NOTE: This equipment has been tested and found to comply with the limits for a Class B digital device, pursuant to part 15 of the FCC Rules. These limits are designed to provide reasonable protection against harmful interference in a residential installation. This equipment generates uses and can radiate radio frequency energy and, if not installed and used in accordance with the instructions, may cause harmful interference to radio communications. However, there is no guarantee that interference will not occur in a particular installation. If this equipment does cause harmful interference to radio or television reception, which can be determined by turning the equipment off and on, the user is encouraged to try to correct the interference by one or more of the following measures:

- Reorient or relocate the receiving antenna.
- Increase the separation between the equipment and receiver.
- Connect the equipment into an outlet on a circuit different from that to which the receiver is connected.

-Consult the dealer or an experienced radio/TV technician for help important announcement

Important Note:

RF Exposure Information and Statement

This device meets the government's requirements for exposure to radio waves. The guidelines are based on standards that were developed by independent scientific organizations through periodic and thorough evaluation of scientific studies. The standards include a substantial safety margin designed to assure the safety of all persons regardless of age or health.

The SAR limit of USA (FCC) is 1.6 W/kg averaged over one gram of tissue. Device types: MaxilM KM100, FCC ID: WQ81MKM100 has also been tested against this SAR limit. This device was tested for typical body-worn operations with the edge of the device kept 0mm from the body. To maintain compliance with FCC RF exposure requirements, use accessories that maintain a 0mm separation distance between the user's body and the edge of the device.

ISED Statement

English: This device complies with Industry Canada license-exempt RSS standard(s). Operation is subject to the following two conditions: (1) This device may not cause interference, and (2) This device must accept any interference, including interference that may cause undesired operation of the device. The digital apparatus complies with Canadian CAN ICES-3 (B)/NMB-3(B).

French: Le présent appareil est conforme aux CNR d'Industrie Canada applicables aux appareils

radio exempts de licence. L'exploitation est autorisée aux deux conditions suivantes: (1) l'appareil ne doit pas produire de brouillage, et (2) l'utilisateur de l'appareil doit accepter tout brouillage radioélectrique subi, même si le brouillage est susceptible d'en compromettre le fonctionnement.

This radio transmitter (ISED certification number: 10826A-KM100) has been approved by Industry Canada to operate with the antenna types listed with the maximum permissible gain indicated. Antenna types not included in this list, having a gain greater than the maximum gain indicated for that type, are strictly prohibited for use with this device.

Le présent émetteur radio (ISED certification number: 10826A-KM100) a été approuvé par Industrie Canada pour fonctionner avec les types d'antenne énumérés ci-dessous et ayant un gain admissible maximal. Les types d'antenne non inclus dans cette liste, et dont le gain est supérieur au gain maximal indiqué, sont strictement interdits pour l'exploitation de l'émetteur.

This radio transmitter (ISED certification number: 10826A-KM100) has been approved by Industry Canada to operate with the antenna types listed with the maximum permissible gain indicated. Antenna types not included in this list, having a gain greater than the maximum gain indicated for that type, are strictly prohibited for use with this device.

Le présent émetteur radio (ISED certification number: 10826A-KM100) a été approuvé par Industrie Canada pour fonctionner avec les types d'antenne énumérés ci-dessous et ayant un gain admissible maximal. Les types d'antenne non inclus dans cette liste, et dont le gain est supérieur au gain maximal indiqué, sont strictement interdits pour l'exploitation de l'émetteur.

Caution:

- (i) The device for operation in the band 5150–5250 MHz is only for indoor use to reduce the potential for harmful interference to co-channel mobile satellite systems;

Avertissement:

- (i) les dispositifs fonctionnant dans la bande de 5150 à 5250 MHz sont réservés uniquement pour une utilisation à l'intérieur afin de réduire les risques de brouillage préjudiciable aux systèmes de satellites mobiles utilisant les mêmes canaux;

Specific Absorption Rate (SAR) information

This device meets the government's requirements for Canada radiation exposure limits set forth for an uncontrolled environment. This device was tested for typical body-worn operations with the back of the device kept 0mm from the body. To maintain compliance with ISED RF exposure requirements, use accessories that maintain a 0mm separation distance between the user's body and the back of the device. The use of belt clips, holsters and similar accessories should not contain metallic components in its assembly. The use of accessories that do not satisfy these requirements may not comply with ISED RF exposure requirements, and should be avoided.

letaux d'absorption spécifique (sar)



Cet appareil est conforme aux exigences du gouvernement canadien concernant les limites d'exposition aux radiations établies pour un environnement non contrôlé. Cet appareil a été testé pour des opérations typiques portées sur le corps avec l'arrière de l'appareil à 0mm du corps. Pour maintenir la conformité aux exigences d'exposition RF ISED, utilisez des accessoires qui maintiennent une distance de séparation de 0mm entre le corps de l'utilisateur et l'arrière de l'appareil. L'utilisation de clips de ceinture, d'étuis et d'accessoires similaires ne doit pas contenir de composants métalliques dans son assemblage. L'utilisation d'accessoires qui ne satisfont pas à ces exigences peut ne pas être conforme aux exigences d'exposition RF ISED et doit être évitée.

CE Statement:

Hereby, Autel Intelligent Technology Co., Ltd. declares that this device is in compliance with the essential requirements and other relevant provisions of Directive 2014/53/EU. The full text of the EU declaration of conformity is available at the following internet address: www.autel.com

The frequency and the maximum transmitted power in EU are listed below:

Mode	Power
Bluetooth 2402-2483.5MHz	+4dBm ±2dB
WIFI (2.4G band) 2412-2472MHz	+8dBm ±2dB
Wi-Fi 2.4G: 2412-2472MHz	+16dBm ±2dB
Wi-Fi 5G: 5150-5250GHz	+14dBm ±2dB
Wi-Fi 5G: 5745-5850GHz	+14dBm ±2dB
868MHz	-10dBm ±2dB
915MHz	-14dBm ±2dB

										
	BE	EL	LT	PT	BG	ES	LU	RO	CZ	FR
	HU	SI	DK	HR	MT	SK	DE	IT	NL	FI
	EE	CY	AT	SE	IE	LV	PL	UK		
Operations in the 5.15-5.25GHz band are restricted to indoor usage only.										
This equipment should be installed and operated with minimum distance 0mm between the radiator and your body.										