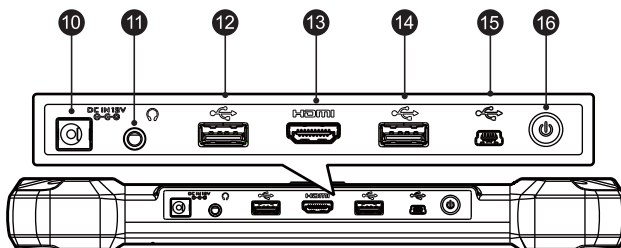
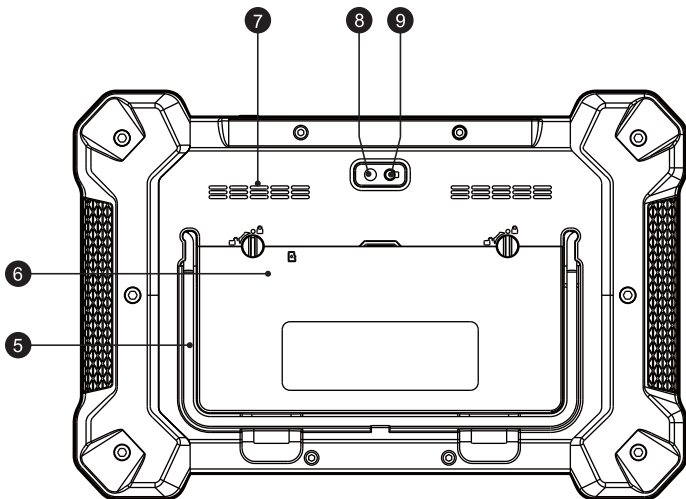
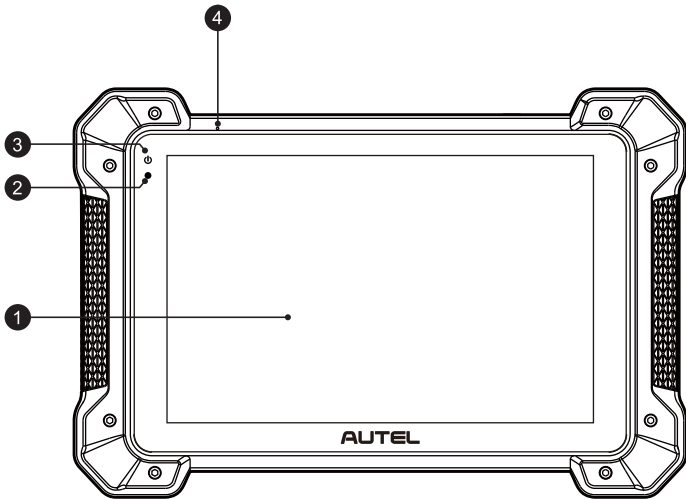
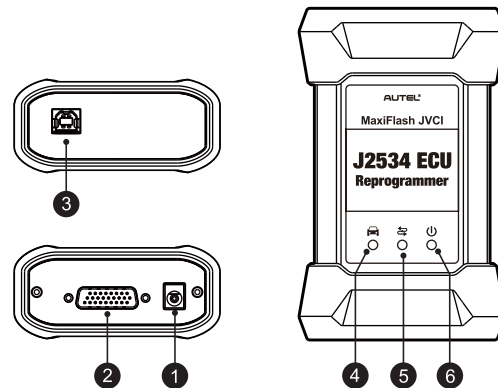


MaxiIM IM608 II



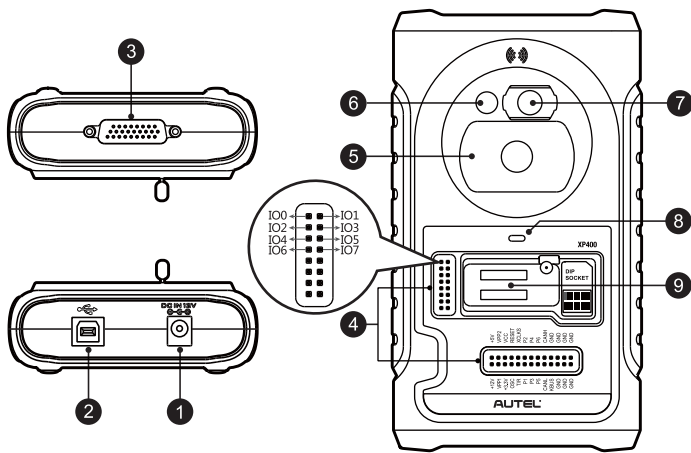
1. 10.1-inch LCD Capacitive Touchscreen
2. Ambient Light Sensor — detects ambient brightness.
3. Power LED — indicates battery level & charging or system status.
4. Microphone
5. Collapsible Stand — extends from the back to allow hands-free viewing of the tablet.
6. Built-in Battery
7. Loudspeaker
8. Camera Lens
9. Camera Flash
10. DC Power Supply Input Port
11. Headphone Jack
12. USB Port
13. HDMI (high-definition multimedia interface) Port
14. USB Port
15. Mini USB Port
16. Lock/Power Button — turns the device on & off with long press, or locks the screen with short press.

MaxiFlash JVCI



1. Power Port — connects the device and the power source with the adapter.
2. Vehicle Connector — connects the device to the vehicle's DLC via a standard high density DB-26 MVCI — OBDII cable.
3. USB Port
4. Vehicle LED
5. Connection LED
6. Power LED

XP400



1. DC Port — provides 12V DC power supply.
2. USB Port — provides data communication and 5V DC power supply.
3. DB 26-Pin Port — connects with the Mercedes Benz infrared collector, ECU cable, MCU cable and MC9S12 cable.
4. Cross Signal Pins — hold the MCU spare cable or DIY signal interface.
5. Vehicle Key Slot — holds the vehicle key.
6. Transponder Slot — holds the transponder.
7. Mercedes Infrared Key Slot — holds the Mercedes infrared key.
8. Status LED — indicates the current operating status.
9. EEPROM Component Transponder Slot — holds the EEPROM plug-in transponder or EEPROM socket.

Safety Information

For your own safety and the safety of others, and to prevent damage to the device and vehicles upon which it is used, it is important that the safety instructions presented throughout this manual be read and understood by all persons operating or coming into contact with the device.

There are various procedures, techniques, tools, and parts for servicing vehicles, as well as in the skill of the person doing the work. Because of the vast number of test applications and variations in the products that can be tested with this equipment, we cannot possibly anticipate or provide advice or safety messages to cover every circumstance. It is the automotive technician's responsibility to be knowledgeable of the system being tested. It is crucial to use proper service methods and test procedures. It is essential to perform tests in an appropriate and acceptable manner that does not endanger your safety, the safety of others in the work area, the device being used, or the vehicle being tested.

Before using the device, always refer to and follow the safety messages and applicable test procedures provided by the manufacturer of the vehicle or equipment being tested. Use the device only as described in this manual. Read, understand, and follow all safety messages and instructions in this manual.

Safety Messages

Safety messages are provided to help prevent personal injury and equipment damage. All safety messages are introduced by a signal word indicating the hazard level.

DANGER

Indicates an imminently hazardous situation which, if not avoided, will result in death or serious injury to the operator or to bystanders.

WARNING

Indicates a potentially hazardous situation which, if not avoided, could result in death or serious injury to the operator or to bystanders.

Safety Instructions

The safety messages herein cover situations Autel is aware of. Autel cannot know, evaluate or advise you as to all of the possible hazards. You must be certain that any condition or service procedure encountered does not jeopardize your personal safety.

DANGER

When an engine is operating, keep the service area WELL VENTILATED or attach a building exhaust removal system to the engine exhaust system. Engines produce carbon monoxide, an odorless, poisonous gas that causes slower reaction time and can lead to serious personal injury or loss of life.

SAFETY WARNINGS

- Always perform automotive testing in a safe environment.
- Wear safety eye protection that meets ANSI standards.
- Keep clothing, hair, hands, tools, test equipment, etc. away from all moving or hot engine parts.
- Operate the vehicle in a well ventilated work area, for exhaust gases are poisonous.
- Put the transmission in PARK (for automatic transmission) or NEUTRAL (for manual transmission) and make sure the parking brake is engaged.
- Put blocks in front of the drive wheels and never leave the vehicle unattended while testing.
- Be extra cautious when working around the ignition coil, distributor cap, ignition wires and spark plugs. These components create hazardous voltages when the engine is running.
- Keep a fire extinguisher suitable for gasoline, chemical, and electrical fires nearby.
- Do not connect or disconnect any test equipment while the ignition is on or the engine is running.
- Keep the test equipment dry, clean, free from oil, water or grease. Use a mild detergent on a clean cloth to clean the outside of the equipment as necessary.
- Do not drive the vehicle and operate the test equipment at the same time. Any distraction may cause an accident.
- Refer to the service manual for the vehicle being serviced and adhere to all diagnostic procedures and precautions. Failure to do so may result in personal injury or damage to the test equipment.
- To avoid damaging the test equipment or generating false data, make sure the vehicle battery is fully charged and the connection to the vehicle DLC is clean and secure.
- Do not place the test equipment on the distributor of the vehicle. Strong electro-magnetic interference can damage the equipment.

COMPLIANCE

This device complies with Part 15 of the FCC rules and Industry Canada's license-exempt RSSs. Operation is subject to the following two conditions:

1. This device may not cause harmful interference.
2. This device must accept any interference received, including interference that may cause undesired operation.

Cet appareil est conforme aux CNR exempts de licence d'Industrie Canada. Son fonctionnement est soumis aux deux conditions suivantes:

1. Ce dispositif ne peut causer des interférences; et
2. Ce dispositif doit accepter toute interférence, y compris les interférences qui peuvent causer un mauvais fonctionnement de l'appareil.

WARNING

Changes or modifications not expressly approved by the party responsible for compliance could void the user's authority to operate the equipment.

NOTE

This equipment has been tested and found to comply with the limits for a Class B digital device, pursuant to Part 15 of the FCC Rules. These limits are designed to provide reasonable protection against harmful interference in a residential installation.

This equipment generates uses and can radiate radio frequency energy and, if not installed and used in accordance with the instructions, may cause harmful interference to radio communications. However, there is no guarantee that interference will not occur in a particular installation. If this equipment does cause harmful interference to radio or television reception, which can be determined by turning the equipment off and on, the user is encouraged to try to correct the interference by one or more of the following measures: I. Reorient or relocate the receiving antenna. II. Increase the separation between the equipment and receiver. III. Connect the equipment into an outlet on a circuit different from that to which the receiver is connected. IV. Consult the dealer or an experienced radio/TV technician for help.

SAR

The radiated output power of this device is below the FCC radio frequency exposure limits. Nevertheless, the device should be used in such a manner that the potential for human contact is minimized during normal operation.

The exposure standard for wireless devices employs a unit of measurement known as the Specific Absorption Rate, or SAR. The SAR limit set by the FCC is 1.6 W/Kg. Tests for SAR are conducted using standard operating positions accepted by the FCC with the device transmitting at its highest certified power level in all tested frequency bands.

Although the SAR is determined at the highest certified power level, the actual SAR level of the device while operating can be well below the maximum value. This is because the device is designed to operate at multiple power levels so as to use only the power required to reach the network. To avoid the possibility of exceeding the FCC radio frequency exposure limits, human proximity to antenna should be minimized.

RF WARNING STATEMENT

The device has been evaluated to meet general RF exposure requirement. The device can be used in portable exposure condition without restriction.

The term "IC" before the radio certification number only signifies that IC technical specifications were met.

RoHS COMPLIANCE

This device is declared to be in compliance with the European RoHS Directive 2011/65/EU.

CE COMPLIANCE

This product is declared to conform to the essential requirements of the following Directives and carries the CE mark accordingly:

EMC Directive 2014/30/EU

R&TTE Directive 1999/5/EC

Low Voltage Directive 2014/35/EU

Getting Started

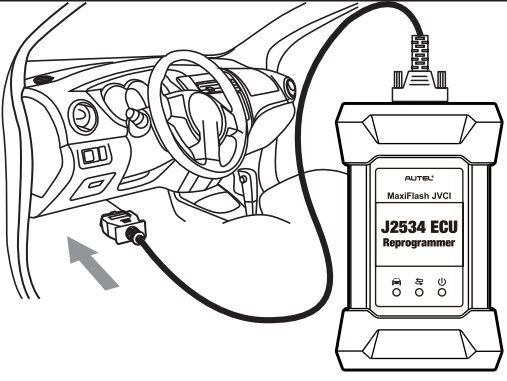
- !** **IMPORTANT:** Before operating or maintaining this unit, please read the quick guide and user manual carefully, pay extra attention to the safety warnings and precautions. Use this unit correctly and properly. Failure to do so may cause damage and/or personal injury and will void the product warranty.

1



- Scan QR Code to visit our website at <http://pro.autel.com>.
- Create an Autel ID and register the product with device's SN and password.

2



- Connect the VCI with the vehicle's DLC, which is generally located under the vehicle dash.

3

- Long press the Lock/Power button to turn on the key programming tool.
- Pair up the key programming tool with the VCI device via Bluetooth or the included USB cable (2m) to establish a communication link and your key programming tool is now ready for use.

2

- Connect the tablet and the XP400 with the included APC001 (USB cable).

4

- Software Update: connect the key programming tool to the Internet and tap **Update** in the MaxiIM Job Menu to view all the available updates.

Programming Function

This function requires connection between the MaxiIM IM608 II tablet and the XP400.

Wireless Data Printing

Print via PC



Please download the Maxi PC Suite from

www.autel.com > Support > Downloads > Autel Update Tools, and install it to Windows-based PC.



IMPORTANT: Make sure the tool and the PC are on the same network (Wi-Fi or hard-wired) as the printer.

- Launch the **PC Link** application on the PC and click the **MaxiSys Printer** tab.
- Click **Test Print** to make sure the printer is working successfully.
- Tap **Print** on the toolbar of the tool. A temporary document will be created and sent to the PC.
 - If the **Auto Print** option in the MaxiSys Printer is selected, the MaxiSys Printer will print the received document automatically.
 - If the **Auto Print** option is not selected, click **Open PDF File** to view all the temporary files. Select the files you want to print and click **Print**.

Immobilizer Function

This function requires connection between the vehicle, the MaxiIM IM608 II tablet and the XP400.

1

- Pair up the MaxiIM IM608 II tablet with the VCI device via Bluetooth to establish a communication link with the vehicle.

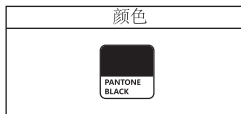
图号

REV	POSITION	DATE	DESCRIPTION

折页

对折

RELEASE LEVEL: &PROJ RELEASE
FILENAME: MODEL NAME



DIM	Sheetmetal	Machining
0-6	0.10	0.05
6-30	0.15	0.10
30-120	0.25	0.15
120-300	0.35	0.20
300-600	0.50	0.25
600-1200	0.60	0.30
>1200	0.80	0.50
ANG.	1-	30'

AUTEL 道通科技股份有限公司
Autel Intelligent Technology Corp.Ltd.

These Drawings And Specification
Are The Property Of AUTEL And Shall
NOT Be Reproduced Copied Or Used
In Any Manner Without The Prior
Written Consent Of AUTEL.

PROJ

TITLE: **快速指引**

DRAW: 张贝贝

CHKD: 杨圯平

STAL:

APPL: 王高

SHEET: 1 OF 1

UNIT'S: 210x285 mm

FINISH:

MASS(Kg):

SCALE:

PRODUCT: IM608 II

DWG NO: AUT62060709

PART NO: 500006208

Material: 120g书纸

IC warning:

This device contains licence-exempt transmitter(s)/receiver(s) that comply with Innovation Science and Economic Development Canada's licence-exempt RSS(s). Operation is subject to the following two conditions:

- 1) this device may not cause interference and
- 2) this device must accept any interference, including interference that may cause undesired operation of the device.

Radiation Exposure: This equipment complies with Canada radiation exposure limits set forth for an uncontrolled environment; To maintain compliance with IC's RF Exposure guidelines, This equipment should be installed and operated with minimum distance of 0mm the radiator your body. This device and its antenna(s) must not be co-located or operation in conjunction with any other antenna or transmitter.

Déclaration de l'ISED Canada :

Cet appareil contient des transmetteur (s) / récepteur (s) sans licence / conformes à l'innovation RSS exemptes de licence de Sciences et Développement économique Canada. L'opération est sous réserve des deux conditions suivantes :

- 1) cet appareil ne peut pas causer d'interférences et
- 2) ce dispositif doit accepter toute interférence, y compris peut provoquer le fonctionnement indésirable de l'appareil.

Exposition aux rayonnements : Cet équipement est conforme aux radiations du Canada limites d'exposition pour un environnement incontrôlé noncé d'exposition RF Pour maintenir le respect des guides d'exposition RF d'IC, l'équipement doit être installé et actionné avec une distance minimale de 0mm le radiateur de votre corps. Cet appareil et ses antennes ne doivent pas être co-localisé ou en opération en conjonction avec toute autre antenne ou émetteur.

Restrictions in the 5 GHz Band The device for the band 5150-5250 MHz is only for indoor usage to reduce the potential for harmful interference to co-channel mobile satellite systems. The maximum antenna gain permitted for devices in the band 5725-5825 MHz shall comply with the e.i.r.p. limits specified for point-to-point and non point-to-point operation as appropriate.

This radio transmitter (10826A-IM608II) has been approved by Innovation, Science and Economic Development Canada to operate with the antenna types listed below with the maximum permissible gain indicated. Antenna types not included in this list that have a gain greater than the maximum gain indicated for any type listed are strictly prohibited for use with this device.

Detachable antenna:

- 3.9 dBi at 2.4 GHz, 50Ω, Internal Antenna
- 3.4 dBi at 5 GHz, 50Ω, Internal Antenna

The antenna of the device's 5G WiFi is detachable.

Specific Absorption Rate (SAR) information:

This KEY PROGRAMMING DIAGNOSTICS TOOL meets the government's requirements for exposure to radio waves. The guidelines are based on standards that were developed by independent scientific organizations through periodic and thorough evaluation of scientific studies. The standards include a substantial safety margin designed to assure the safety of all persons regardless of age or health.

This equipment should be installed and operated with minimum distance of 0mm the radiator your body.